



HIGH PERFORMANCE

Hi-**PER**2

ECOLOGIC

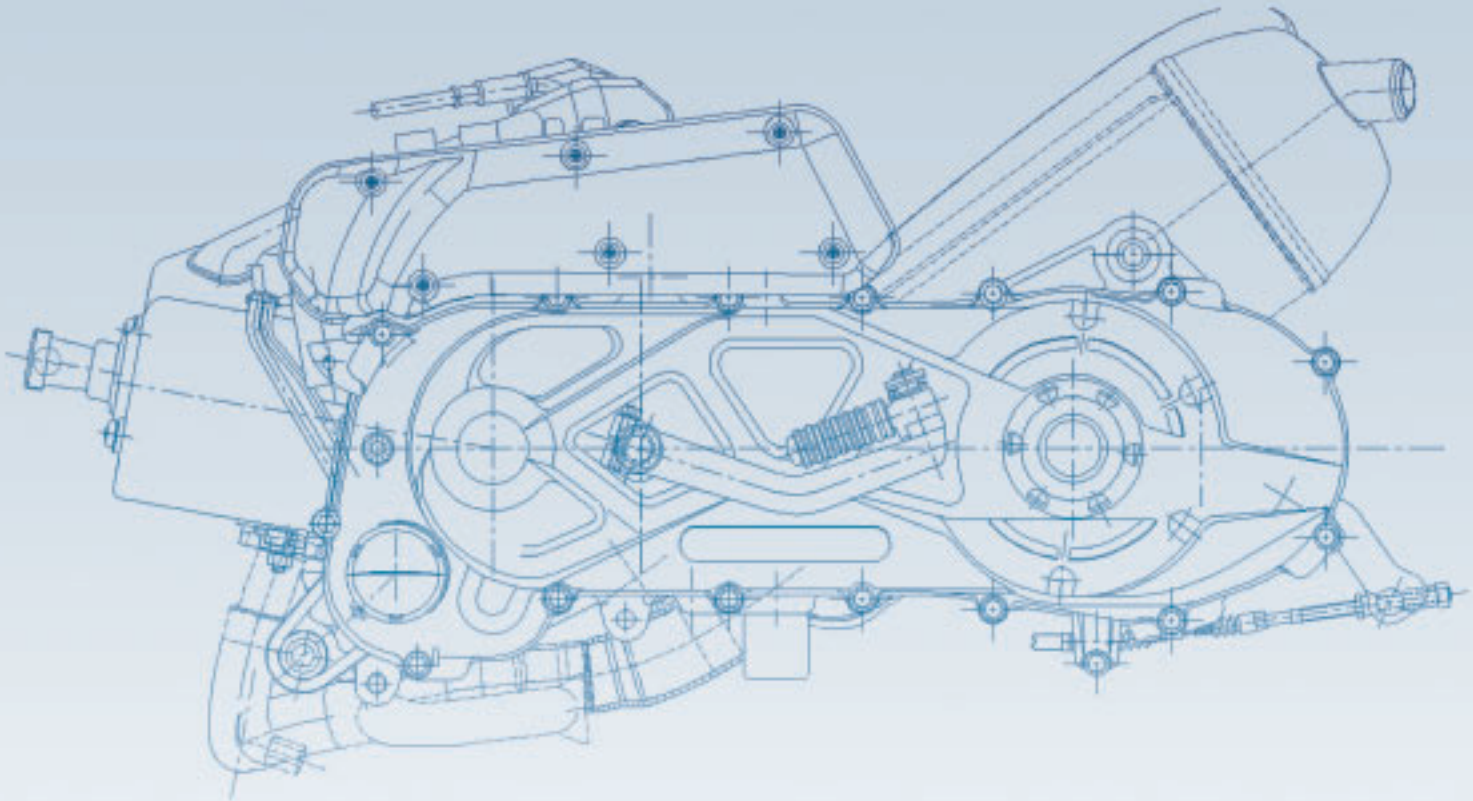
ENGINE RANGE

50

Hi-PER 2 Family

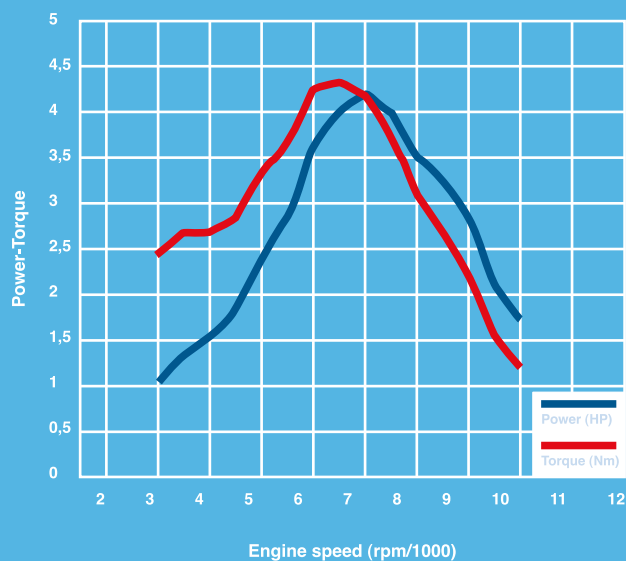
High Performance Ecologic Engine Range

Hi-PER 2 50cc



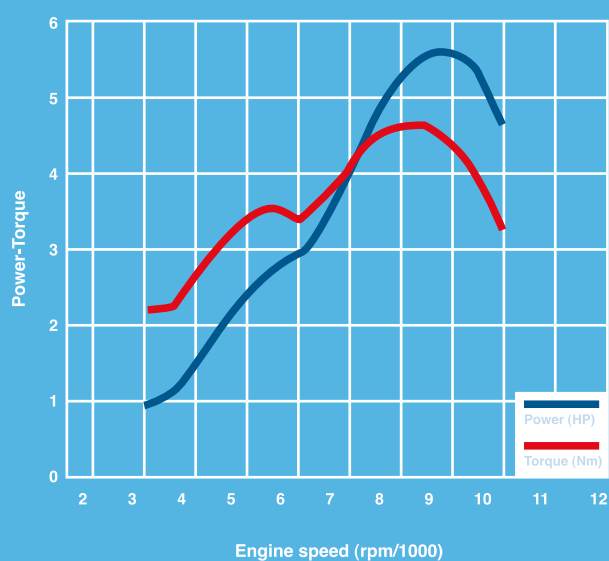
50cc AIR

POWER AND TORQUE AT REAR WHEEL



50cc LIQUID

POWER AND TORQUE AT REAR WHEEL



Hi-PER 2 Family

Technical Datasheet

	50cc A	I	50cc L
Thermodynamic cycle	Otto 2 - stroke		
Displacement	49,4cc		
Bore	40mm		
Stroke	39,3mm		
Cooling system	Forced air	Liquid	
Power @ crankshaft	3,8kW(5,1HP)@7000rpm	5,1kW(7,0HP)@8500rpm	
Torque @ crankshaft	5,4Nm(0,55kgm)@6500rpm	5,3Nm(0,54kgm)@8000rpm	
Ignition	Electronic with Capacitive Discharge (CDI) and variable timing		
Fuel feed	Carburetor		
Lubrication system	Separated oil pump		
Countershaft	Not present		
Transmission	Torque sensitive Continuous Variable Transmission (CVT)		
CVT range	3,9		
Start	Electric and kick		
Rear Brake	Drum brake	Disk brake	
Engine weight	25 Kg		
Emission compliance	EURO 2		
Anti-pollution devices	Secondary air system with double disk valve - Dual catalyst system		

Piaggio reserves the right to modify the data indicated above.

Piaggio & C. S.p.A. Engine Business Development

Viale R. Piaggio 25 - 56025 Pontedera, Pisa - Italy
 ph.+39 0587 272949 - fax +39 0587 272016
 email: engines@piaggio.com <http://www.engines.piaggio.com>

© Copyright Piaggio & C. Spa. Piaggio®, Vespa®, Gilera® and every product name are trademarks registered by Piaggio & C. S.p.A.

The Engine Business Development is part of



PIAGGIO & C.s.p.a.